

CUT

Francesco Rota | 2013



CUT

Francesco Rota | 2013

Two elements, plastic and fabric, are enough. Just bring them together, give the former an external shape and the latter a soft interior. Or you can change everything and leave the colour and tactile pleasure of the fabric weave to embrace every part. You just need to choose from the countless combinations available, and CUT, the armchair with a versatile character, is born. There is no room for inflexibility.



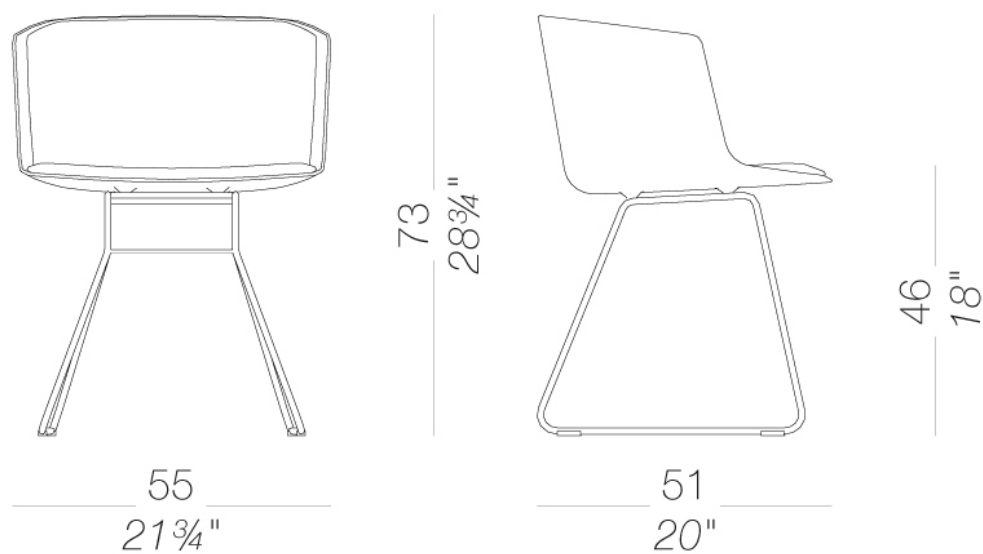
CUT

Francesco Rota | 2013

| S139-140 slide frame base

Chair with Baydur® fire resistant polyurethane shell, white or black, only front or fully upholstered with fire resistant foam and covered with fabric, ecoleather or leather. Sled base either in mat chromed steel or powder coated. Glides in polypropylene with insert in felt or plastic.

TEST 1 IM - Steelcut



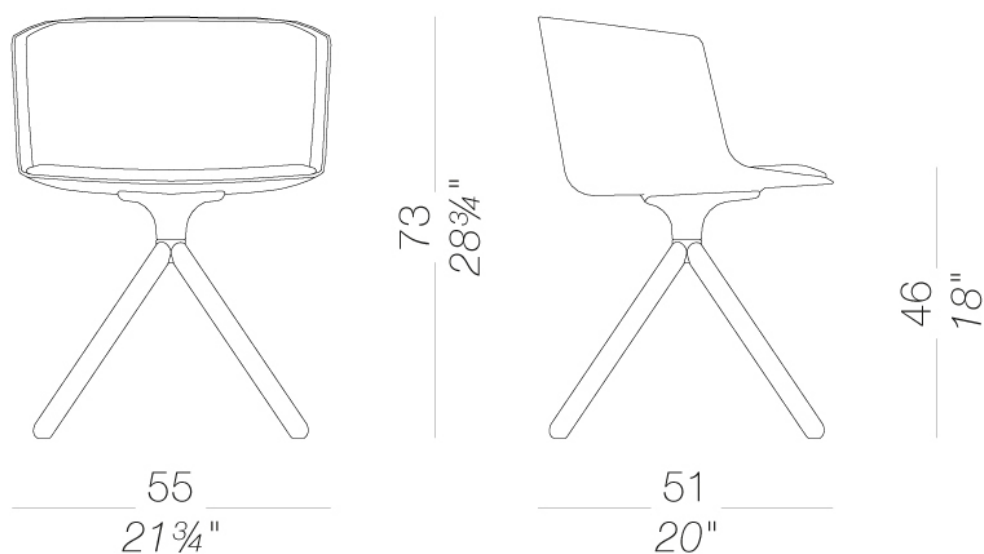
CUT

Francesco Rota | 2013

| S147-148 swivel chair with wood legs

Chair with Baydur® fire resistant polyurethane shell, white or black, only front or fully upholstered with fire resistant foam and covered with fabric, ecoleather or leather. Swivel base in solid wood in several finishes. Glides in nylon with felt.

TEST EN 1728:2012 6.17 - EN 16139:2013 - L2 extreme
TEST 1 IM - Steelcut



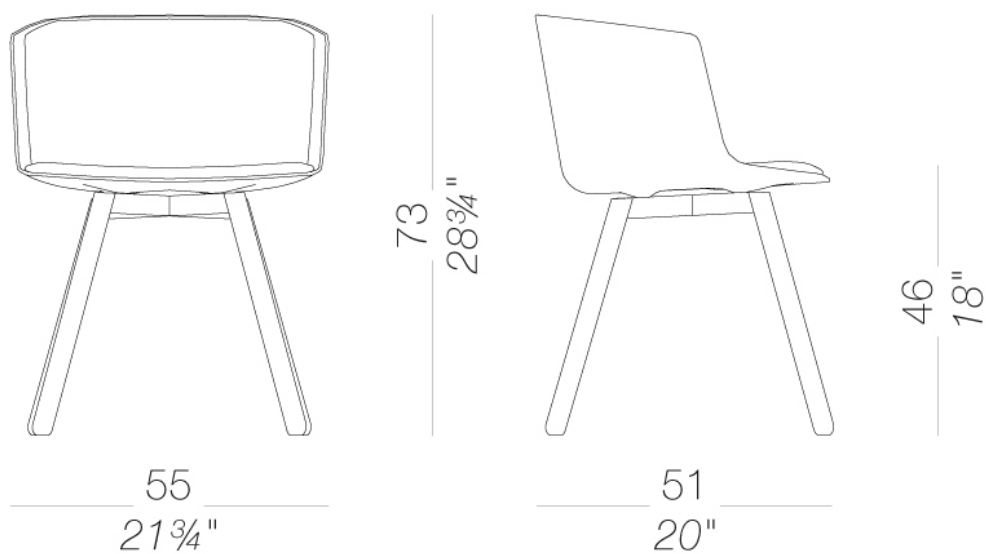
CUT

Francesco Rota | 2013

| S180-181 chair with wood legs

Chair with Baydur® fire resistant polyurethane shell, white or black, only front or fully upholstered with fire resistant foam and covered with fabric, ecoleather or leather. Four legs in solid wood in several finishes. Glides in nylon with felt.

TEST 1 IM - Steelcut



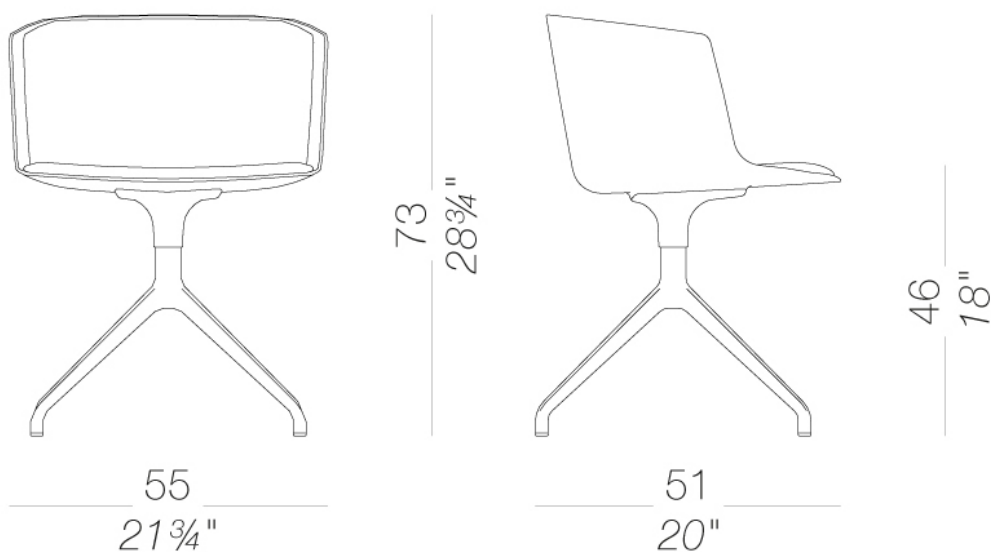
CUT

Francesco Rota | 2013

| S151 - 152 4-spoke swivel base

Chair with Baydur® fire resistant polyurethane shell, white or black, only front or fully upholstered with fire resistant foam and covered with fabric, ecoleather or leather. Trestle swivel base in sandblasted aluminium or powder coated. Glides in polythene.

TEST 1 IM - Steelcut



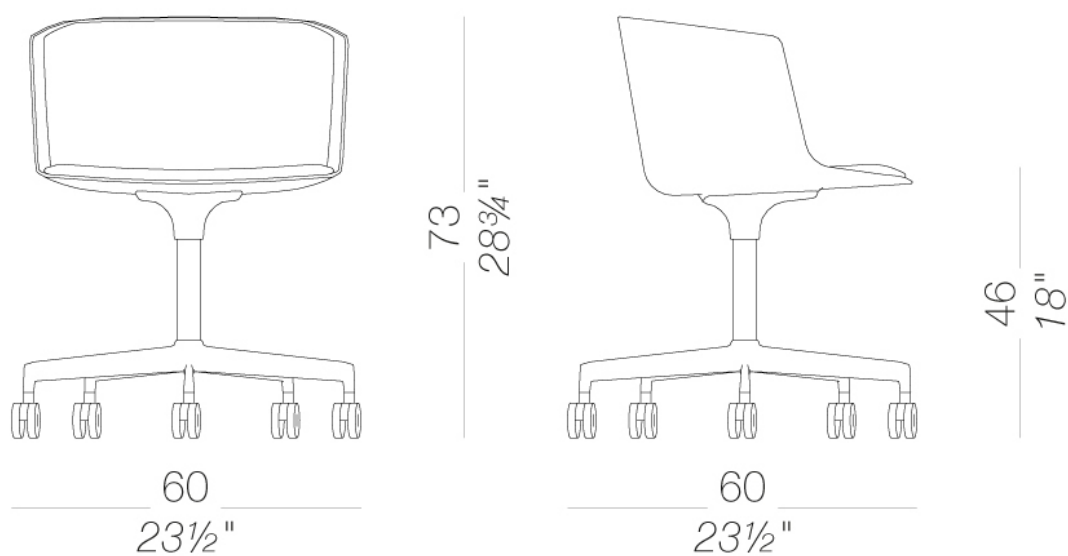
CUT

Francesco Rota | 2013

| S184-185 swivel armchair on wheels

Chair with Baydur® fire resistant polyurethane shell, white or black, only front or fully upholstered with fire resistant foam and covered with fabric, ecoleather or leather. Swivel base in sandblasted aluminium or powder coated with 5 self-braking castors.

TEST 1 IM - Steelcut



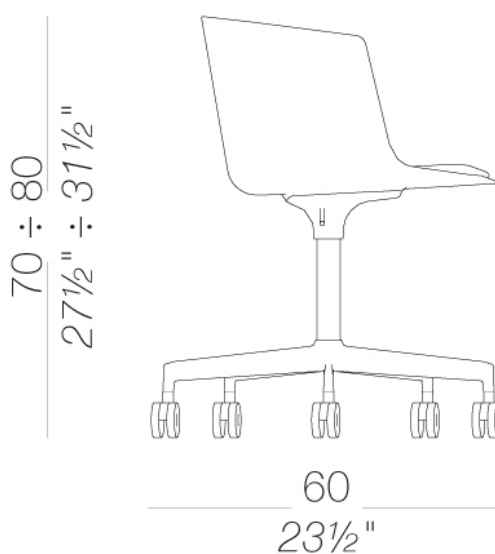
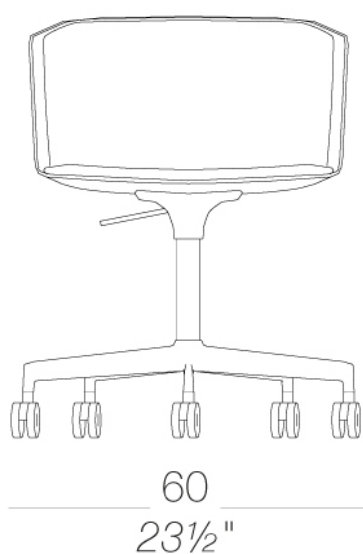
CUT

Francesco Rota | 2013

| S186-187 Height-adjustable, on castors

Chair with Baydur® fire resistant polyurethane shell, white or black, only front or fully upholstered with fire resistant foam and covered with fabric, ecoleather or leather. Height adjustable swivel base in sandblasted aluminium or powder coated with 5 self-braking castors.

TEST 1 IM - Steelcut



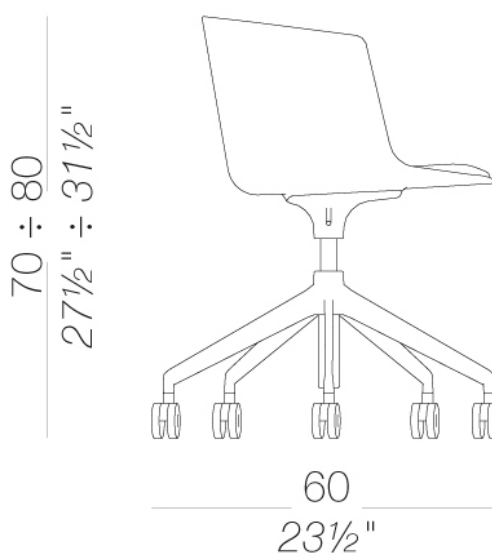
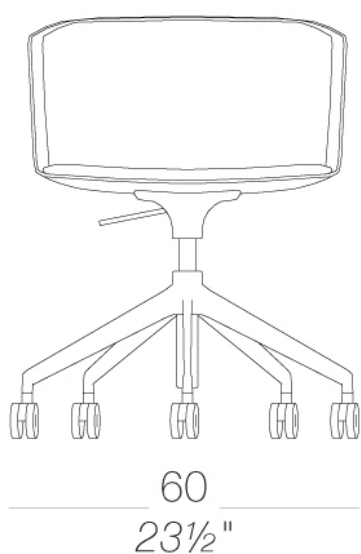
CUT

Francesco Rota | 2013

| S188-189 Height-adjustable with pyramidal base, on castors

Chair with Baydur® fire resistant polyurethane shell, white or black, only front or fully upholstered with fire resistant foam and covered with fabric, ecoleather or leather. Height adjustable swivel base in sandblasted aluminium or powder coated with 5 self-braking castors.

TEST EN 1728:2012 AC:2013 6.17 - EN 16139:2013 - L2 extreme
TEST 1 IM - Steelcut



42 ÷ 52
16 1/2" ÷ 20 1/2"

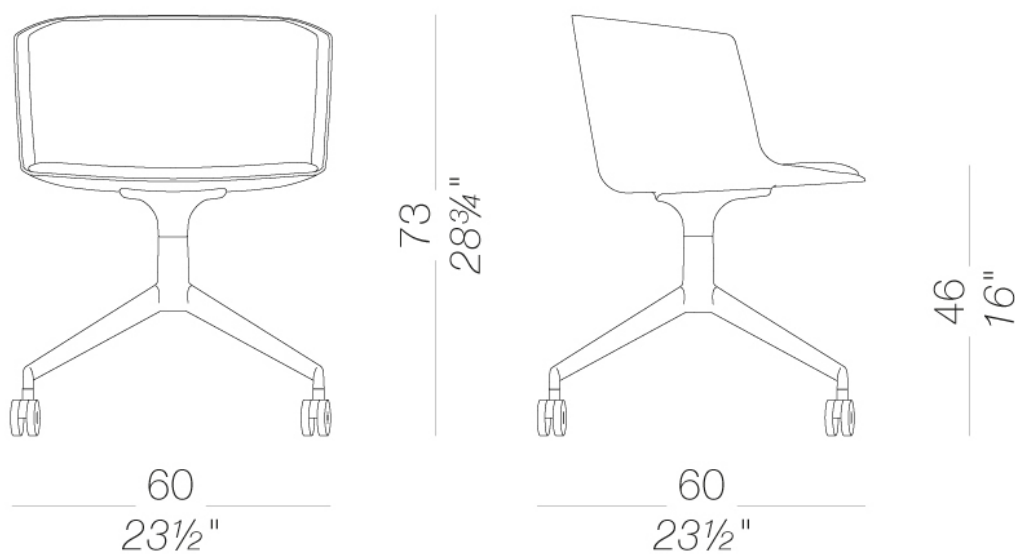
CUT

Francesco Rota | 2013

| S192-193 4-spoke base, on castors

Chair with Baydur® fire resistant polyurethane shell, white or black, front or fully upholstered with fire resistant foam and covered with fabric, ecoleather or leather. Trestle base in sandblasted aluminium or powder coated with 4 self-braking castors.

TEST 1 IM - Steelcut



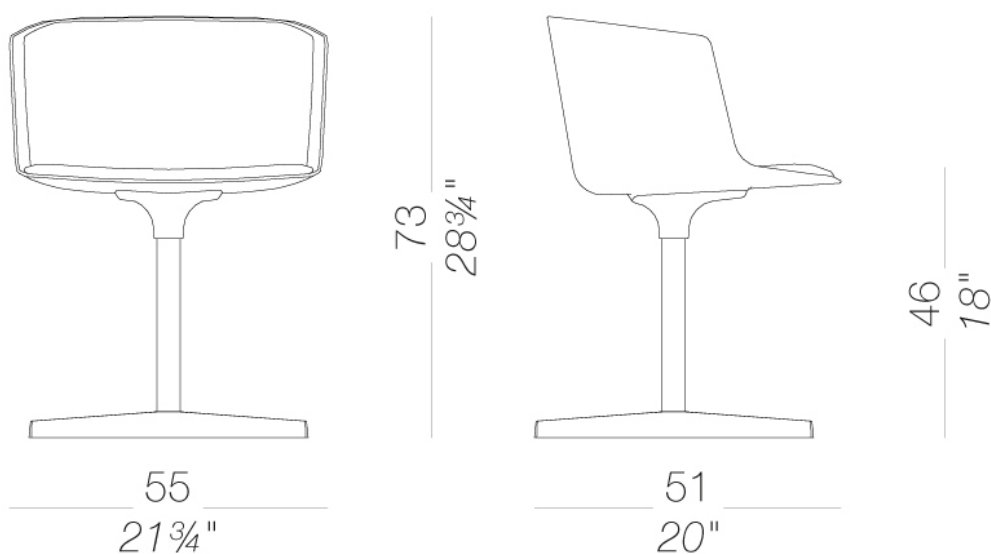
CUT

Francesco Rota | 2013

| S190-191 star-shaped swivel base

Chair with Baydur® fire resistant polyurethane shell, white or black, front or fully upholstered with fire resistant foam and covered with fabric, ecoleather or leather. Swivel star base in sandblasted aluminium or powder coated. Glides in polythene.

TEST 1 IM - Steelcut



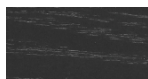
CUT

Francesco Rota | 2013

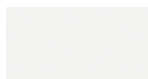
frame



powder coating
black
1 Colors



wood
black open pore
1 Colors



powder coating
white
1 Colors



wood
natural ash
1 Colors



metal
aluminium
1 Colors



metal
mat chromed
1 Colors

shell

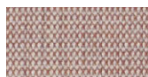


plastics
Baydur®
2 Colors

upholstery



fabric
Hallingdal 65 - Grade C
58 Colors



fabric
Canvas 2 - Grade C
45 Colors



fabric
Steelcut Trio 3 - Grade D
54 Colors



fabric
Remix 3 - Grade C
72 Colors



fabric
Fiord 2 - Grade C
39 Colors



fabric
Divina MD - Grade D
27 Colors



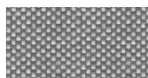
fabric
Divina Melange 3 - Grade D
38 Colors



fabric
Tonica 2 - Grade C
39 Colors



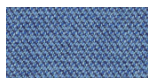
fabric
Medley - Grade A
37 Colors



fabric
Maya - Grade A
43 Colors



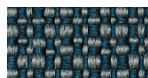
fabric
Jet - Grade A
66 Colors



fabric
Capture - Grade B
60 Colors



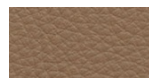
fabric
Crisp - Grade B
40 Colors



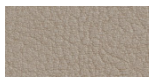
fabric
Ilris - Grade B
34 Colors



fabric
Steelcut 3 - Grade D
40 Colors



soft-leather
Soft-leather
17 Colors



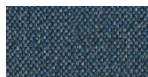
ecoleather
Valencia - Grade B
72 Colors



fabric
Grain - Grade B
50 Colors



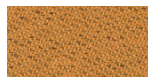
fabric
Re-wool - Grade C
24 Colors



fabric
Main Line Flax - Grade B
57 Colors



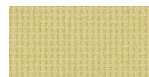
fabric
Blazer - Grade C
77 Colors



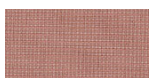
fabric
Chili - Grade A
47 Colors



fabric
Umber - Grade B
36 Colors



fabric
Nobel - Grade C
30 Colors



fabric
Naveli - Grade C
24 Colors



fabric
Fiocco - Grade B
34 Colors



fabric
Atrium - Grade C
16 Colors



fabric
Panama - Grade A
48 Colors



fabric
Sorrento - Grade B
22 Colors

CUT

Francesco Rota | 2013

consult the portfolio for the range of colors, fabrics, eco-leather, soft-leather.

use and maintenance instructions

Clean all parts in wood, leather, fabric and metal with a damp cloth or a diluted neutral cleaner. Do not use cleaners with alcohol, bleach, solvent or abrasive products. Any liquid spilt on the product must be wiped up immediately. When lifting or moving the product, hold it on the structure and not under the seat. The product should not be subjected to unbalanced weights, as it is designed for a proper rest on the foothold (on four legs or on the base). Our company relieves from any responsibility in case of damage caused to fragile floors. Avoid any improper use of the product: do not step on the product, on the footrest or on the armrests. Avoid any movements that could compromise the proper functionality of the product or the safety of the users. Wood and leather, being natural materials, could be easily damaged. Small impurities or imperfections are within quality standard range. Do not expose the product to weather conditions or atmospheric agents, nor to heat sources over 40°C. Also products for outdoor use could be afflicted by atmospheric agents. The product could undergo possible exterior changes due to particular exposure to heat, humidity and saltiness. An appropriate and frequent maintenance and cleaning of the product enhances its durability. The product could change colour and shade, if exposed to direct sunlight. Maintenance has to be carried out by experienced staff. Dispose of the package only after assembling the product, in order to avoid the loss of ironmongery and components. Once the product has been dismantled, the product itself or its components must be given to the public garbage disposal system, according to the legislation in force.