

BRUNCH

Romano Marcato | 2012



BRUNCH

Romano Marcato | 2012

Two worlds, two 'times' meet as the brunch tradition dictates. On the one hand the wooden top that curves down to the ground and gently changes thickness, on the other the rigour of the metal support, also available in powder coated black or white. Of great originality in the play of asymmetries, this modular table is freely composed, crossing heights and opening in the directions of a star and a wave. BRUNCH, versatile and available in an electrified version, is ideal as a cafeteria counter, a high table for the office or as a workstation in public spaces.





140



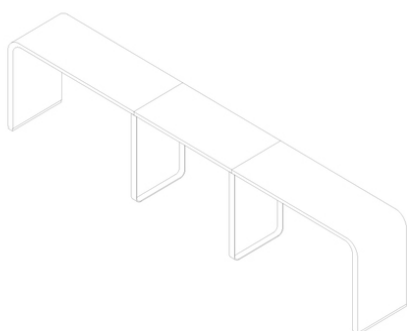
180



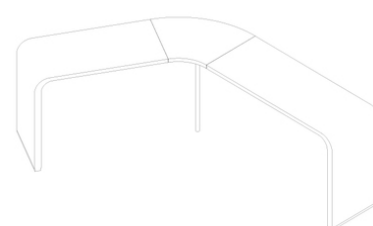
180 double



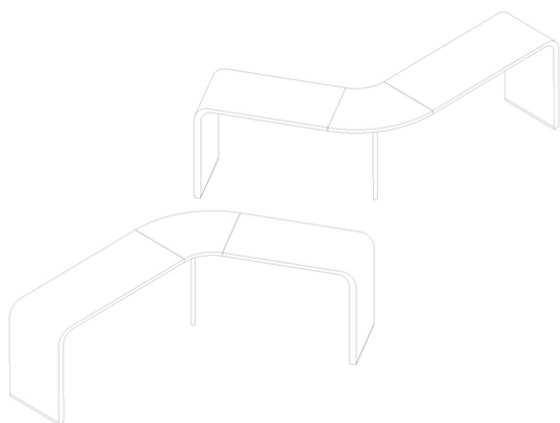
140 + 180



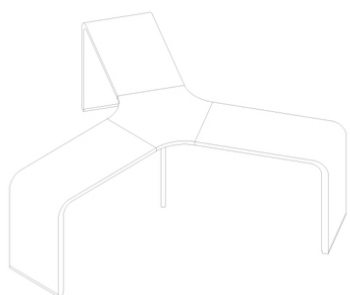
Double extended



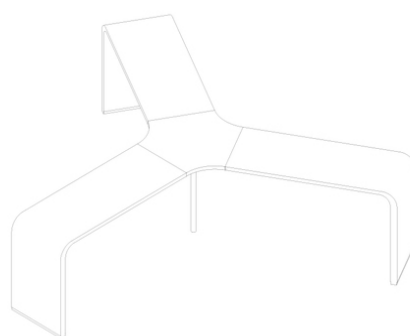
V_shape



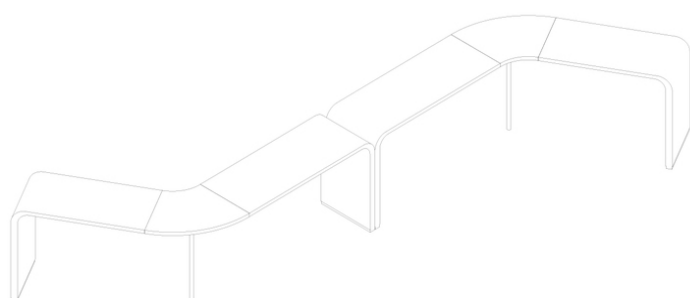
V_shape — mirror



Y_shape — small



Y_shape — big



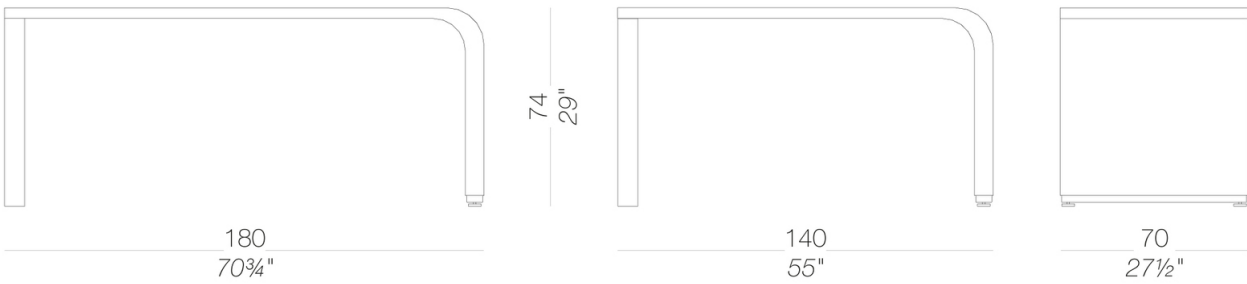
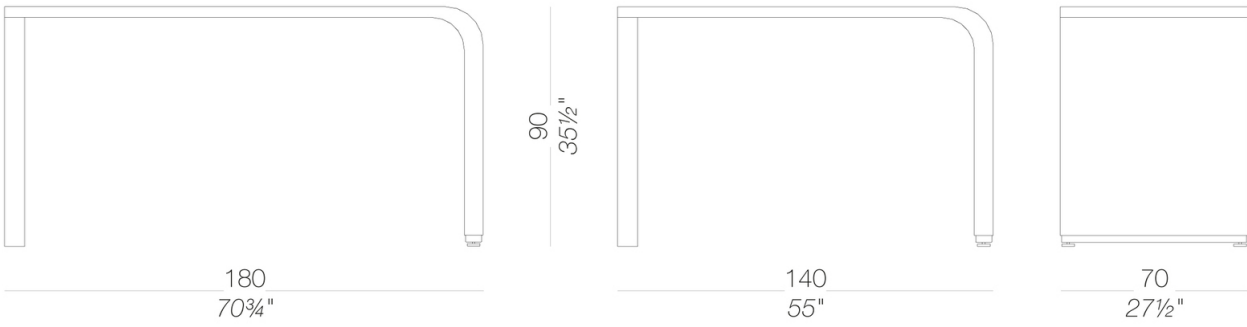
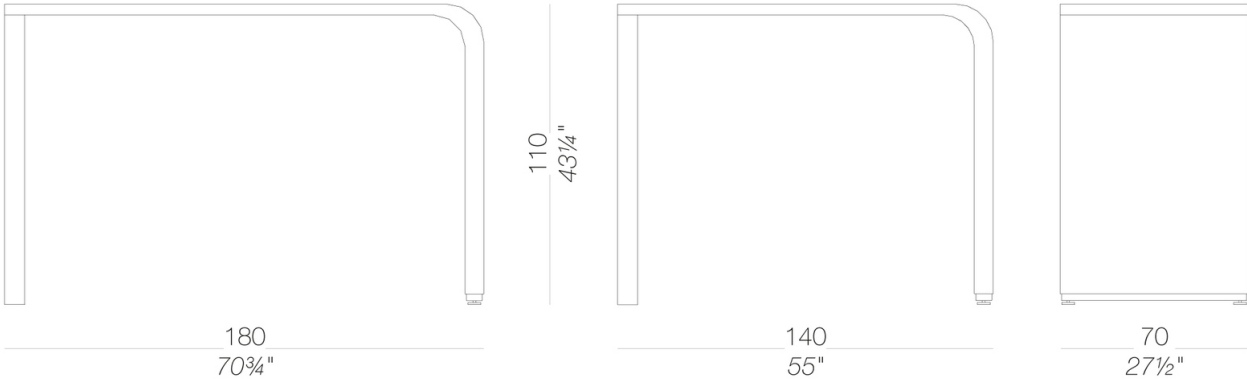
V_shape — double

BRUNCH

Romano Marcato | 2012

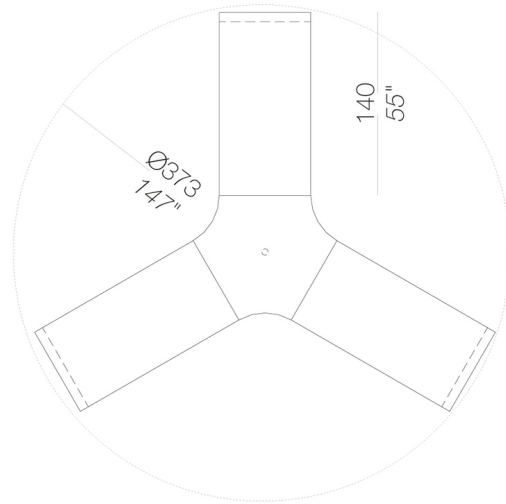
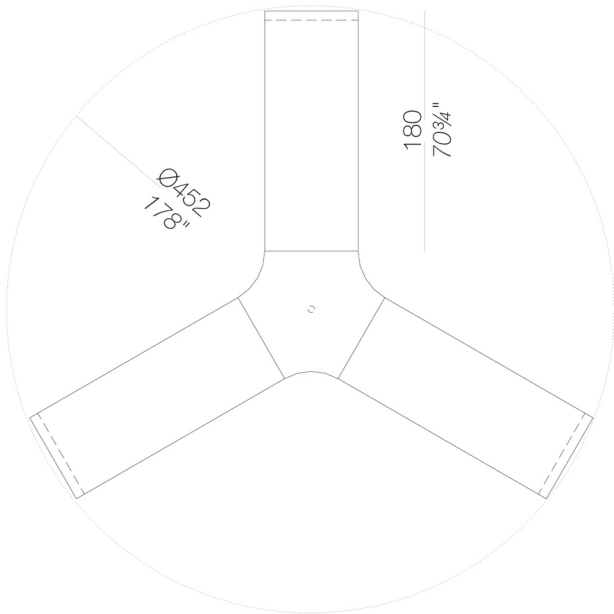
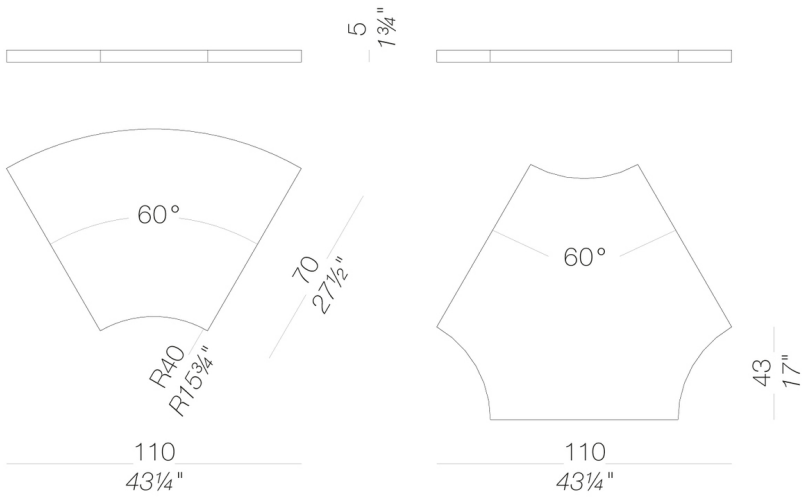
Modular system of tables composed of a curved honeycomb board with thickness variation and veneered in several finishes. Available in several dimensions with additional tops for larger configurations. Top in curved honeycomb board with variation in thickness, internal frame in plywood of poplar and beech, and veneered in several finishes, white laminate, white Fenix® or white lacquered. Base in mat chromed metal with adjustable feet for a better stability. Leg and base in metal mat chromed with adjustable feet for a better stability.

tops



BRUNCH

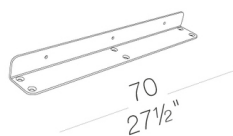
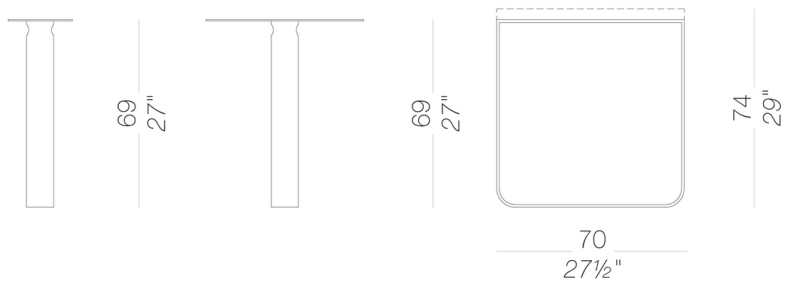
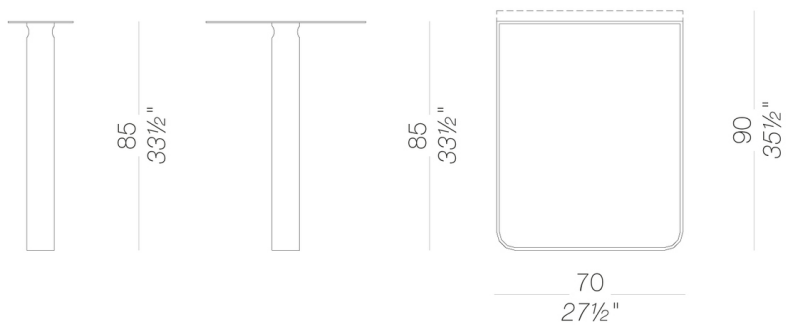
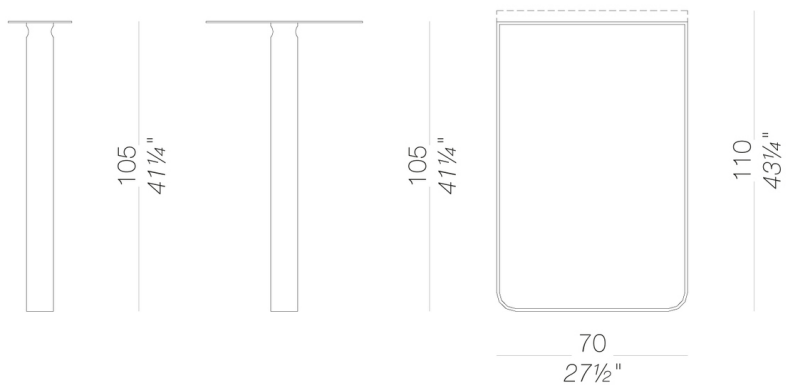
Romano Marcato | 2012



BRUNCH

Romano Marcato | 2012

frame



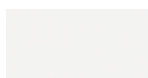
BRUNCH

Romano Marcato | 2012

frame



metal
mat chromed
1 Colors

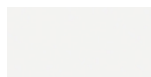


powder coating
white
1 Colors



powder coating
black
1 Colors

leg

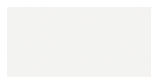


powder coating
white
1 Colors



powder coating
black
1 Colors

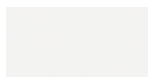
top



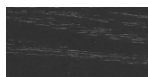
lacquered
white lacquered
1 Colors



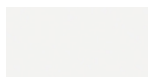
wood
blanch oak
1 Colors



laminate
406 abet 9/10
1 Colors



wood
black open pore
1 Colors



laminate
laminate Fenix 1,2
white
1 Colors

consult the portfolio for the range of colors, fabrics, eco-leather, soft-leather.

use and maintenance instructions

Clean all parts in wood, leather, fabric and metal with a damp cloth or a diluted neutral cleaner. Do not use cleaners with alcohol, bleach, solvent or abrasive products. Any liquid spilt on the product must be wiped up immediately. When lifting or moving the product, hold it on the structure and not under the seat. The product should not be subjected to unbalanced weights, as it is designed for a proper rest on the foothold (on four legs or on the base). Our company relieves from any responsibility in case of damage caused to fragile floors. Avoid any improper use of the product: do not step on the product, on the footrest or on the armrests. Avoid any movements that could compromise the proper functionality of the product or the safety of the users. Wood and leather, being natural materials, could be easily damaged. Small impurities or imperfections are within quality standard range. Do not expose the product to weather conditions or atmospheric agents, nor to heat sources over 40°C. Also products for outdoor use could be afflicted by atmospheric agents. The product could undergo possible exterior changes due to particular exposure to heat, humidity and saltiness. An appropriate and frequent maintenance and cleaning of the product enhances its durability. The product could change colour and shade, if exposed to direct sunlight. Maintenance has to be carried out by experienced staff. Dispose of the package only after assembling the product, in order to avoid the loss of ironmongery and components. Once the product has been dismantled, the product itself or its components must be given to the public garbage disposal system, according to the legislation in force.