

# ADD S

Francesco Rota | 2016



# ADD S

Francesco Rota | 2016

Documents, books and objects. Memories and visions of the future. Any period of design can find a space in the ADD system storage units. In line with the inventive creativity of seating, metal units can be arranged and combined with tables in a versatile way, thus creating work stations. Double-sided, open or closed with drawers and doors, these furniture units easily furnish the centre of a room and its walls. The same flexibility can be found with finishes and colours that enhance monochrome rigour or add contrasting effects with the different shades of seating and cushions.





S — open



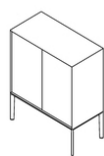
S — flap door



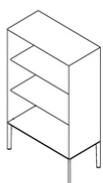
S — two drawers



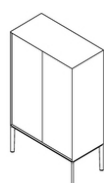
M — open



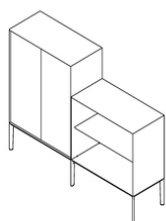
M — doors



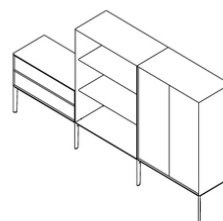
L — open



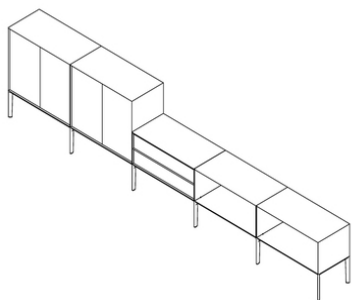
L — doors



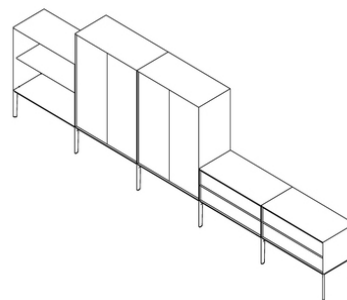
L — doors + M — open



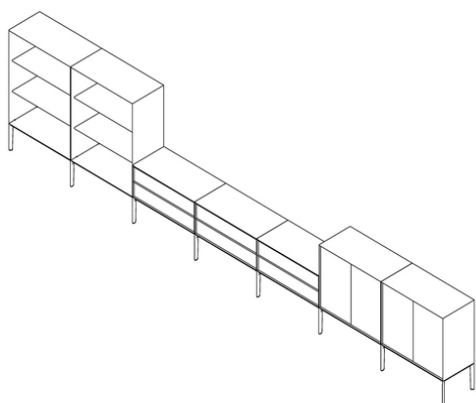
S — two drawers + L — open + L — doors



M — doors double + S — two drawers + S — open double



M — open + L — doors double + S — two drawers double



L — open double + S — two drawers triple + M — doors double

# ADD S

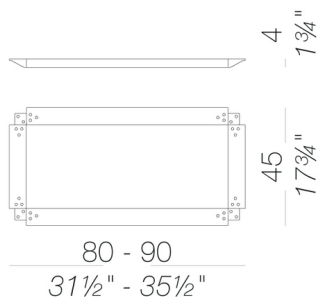
Francesco Rota | 2016

Modular system with storage units and seating, with frame in extrusion of aluminium and legs in die cast aluminium, all powder coated. Storages, drawers, backs and doors in several finishes, top of tables in HPL Fenix®. Seating with elastic support, cushions in molded fire retardant foam with polyester fiber and upholstered with removable fabric, leather or eco-leather. ADD storage System can be combined with the ADD table system and ADD seating system.

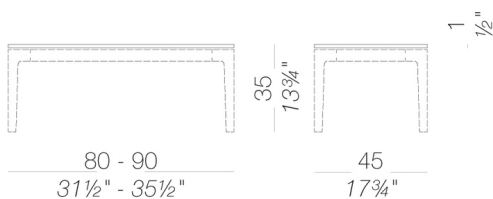
## legs



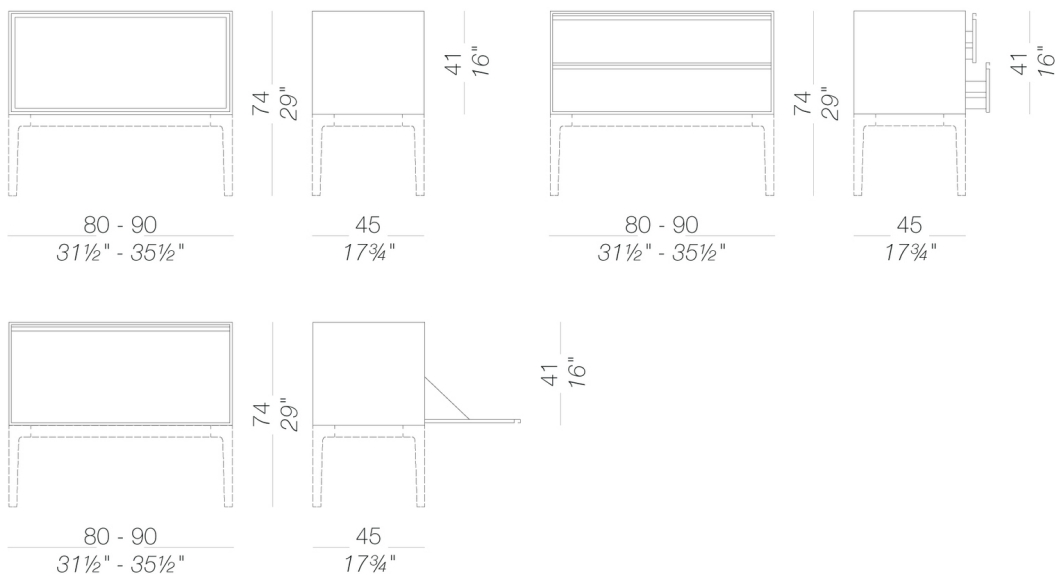
## frame



## top for small table

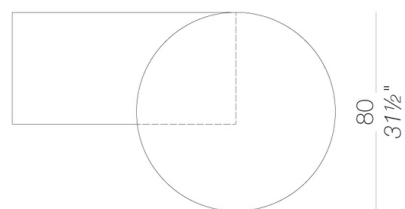
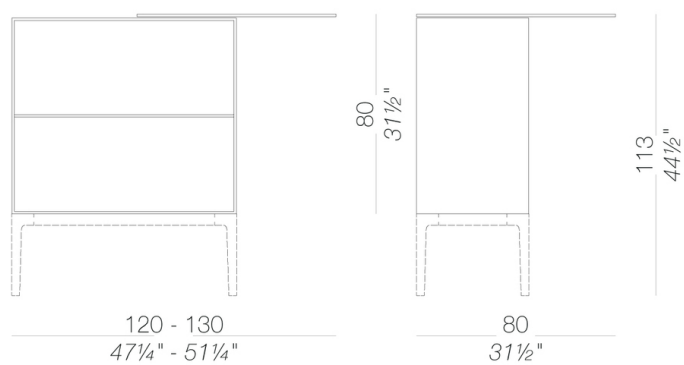
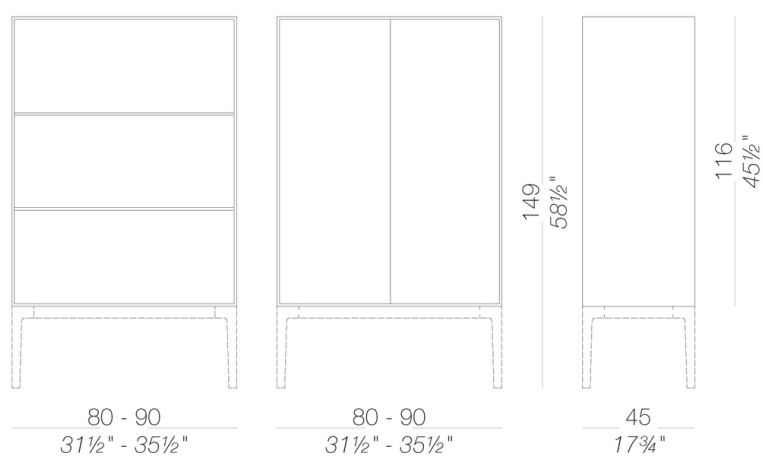
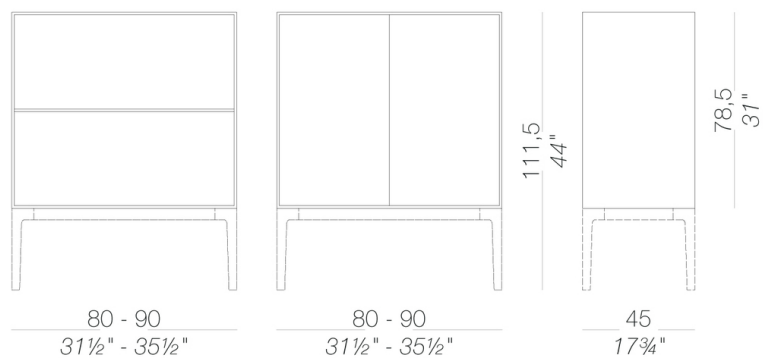


## cabinets



# ADD S

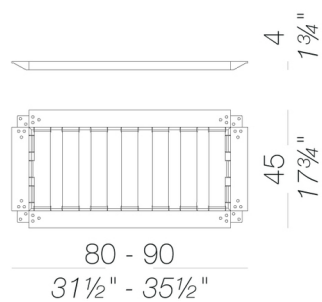
Francesco Rota | 2016



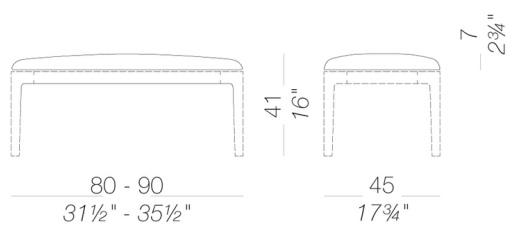
# ADD S

Francesco Rota | 2016

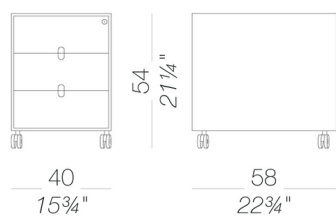
## frame for seat



## cushion



## drawer unit on castors



# ADD S

Francesco Rota | 2016

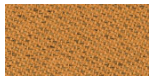
## upholstery for drawers and doors



fabric  
Main Line Flax -  
Grade. B  
57 Colors



fabric  
Blazer - Grade. C  
77 Colors



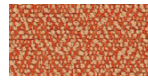
fabric  
Chili - Grade. A  
47 Colors



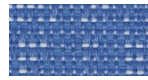
fabric  
Umber - Grade. B  
36 Colors



fabric  
Nobel - Grade. C  
30 Colors



fabric  
Fiocco - Grade. B  
34 Colors



fabric  
Atrium - Grade. C  
16 Colors



fabric  
Panama - Grade. A  
48 Colors



fabric  
Sorrento - Grade. B  
22 Colors



wood  
blanch oak  
1 Colors



lacquered  
lacquered  
2 Colors



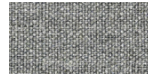
fabric  
Hallingdal 65 - Grade  
C  
58 Colors



fabric  
Canvas 2 - Grade C  
45 Colors



fabric  
Steelcut Trio 3 -  
Grade D  
54 Colors



fabric  
Remix 3 - Grade C  
72 Colors



fabric  
Fiord 2 - Grade C  
39 Colors



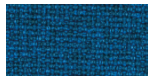
fabric  
Divina MD - Grade D  
27 Colors



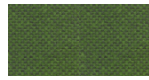
fabric  
Divina Melange 3 -  
Grade D  
38 Colors



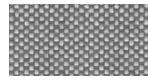
fabric  
Tonica 2 - Grade C  
39 Colors



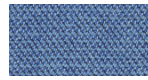
fabric  
Medley - Grade A  
37 Colors



fabric  
Jet - Grade A  
66 Colors



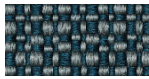
fabric  
Maya - Grade A  
43 Colors



fabric  
Capture - Grade B  
60 Colors



fabric  
Crisp - Grade B  
40 Colors



fabric  
Iris - Grade B  
34 Colors



fabric  
Steelcut 3 - Grade D  
40 Colors



ecoleather  
Valencia - Grade B  
72 Colors

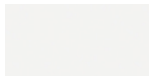


fabric  
Naveli - Grade. C  
24 Colors

## drawer unit on castors



powder coating  
black  
1 Colors



powder coating  
white  
1 Colors

## frame



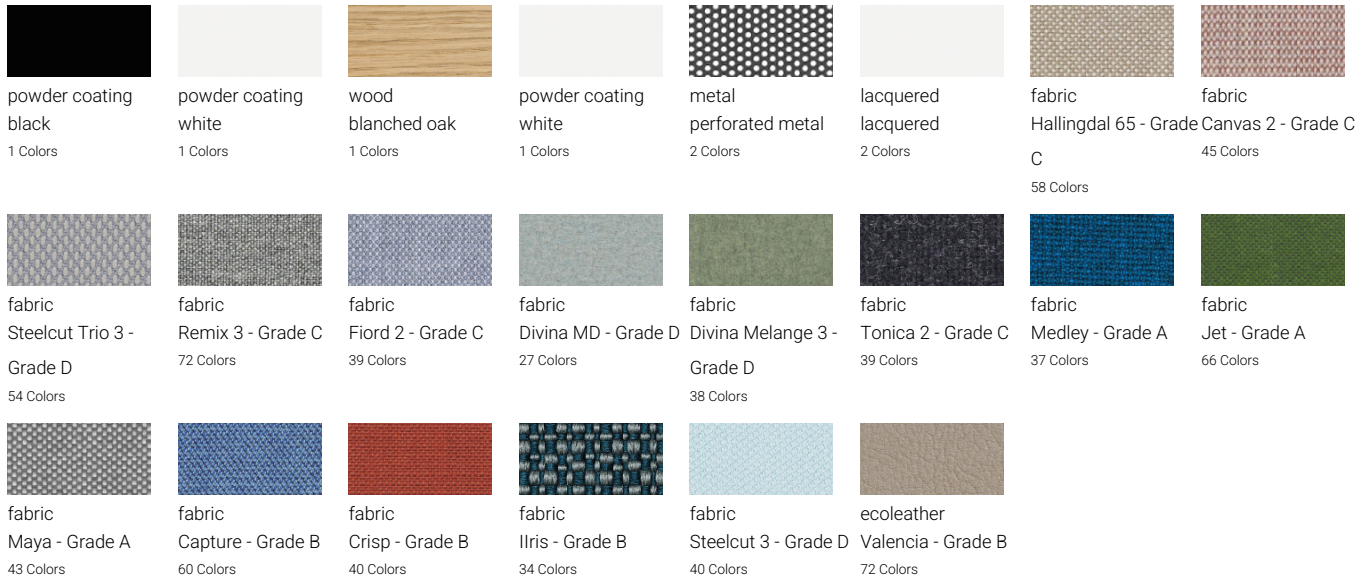
powder coating  
black  
1 Colors



powder coating  
white  
1 Colors



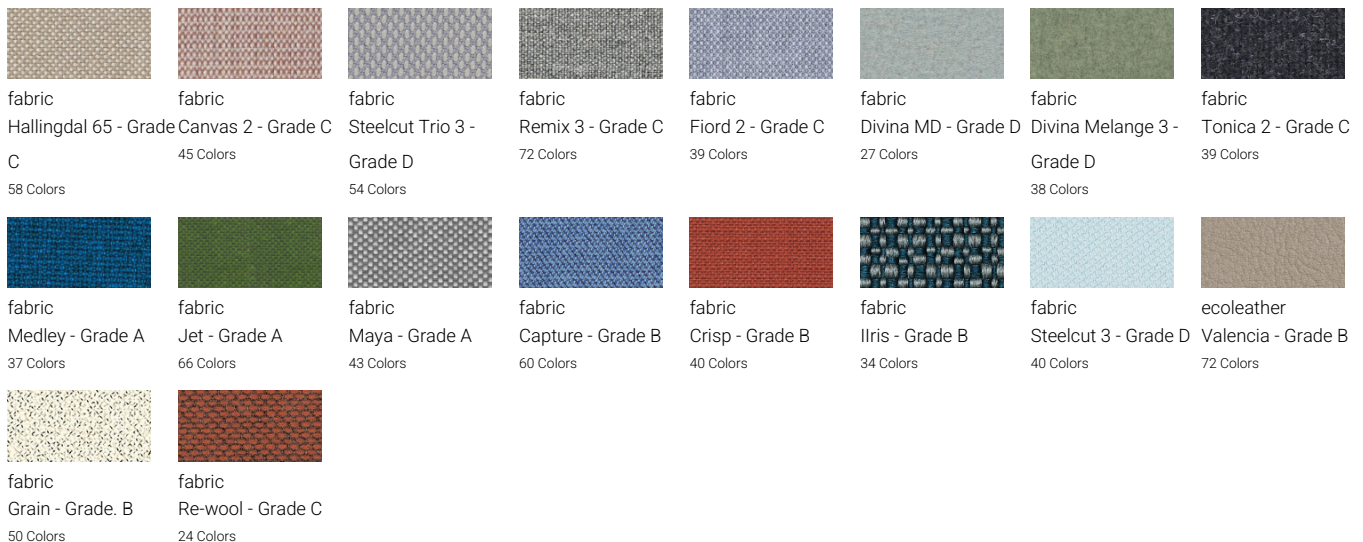
**backs**



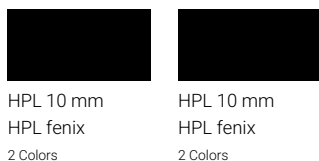
# ADD S

Francesco Rota | 2016

**cushion**



**top**



**consult the porfolio for the range of colors, fabrics, eco-leather, soft-leather.**

**use and maintenance instructions**

Clean all parts in wood, leather, fabric and metal with a damp cloth or a diluted neutral cleaner. Do not use cleaners with alcohol, bleach, solvent or abrasive products. Any liquid spilt on the product must be wiped up immediately. When lifting or moving the product, hold it on the structure and not under the seat. The product should not be subjected to unbalanced weights, as it is designed for a proper rest on the foothold (on four legs or on the base). Our company relieves from any responsibility in case of damage caused to fragile floors. Avoid any improper use of the product: do not step on the product, on the footrest or on the armrests. Avoid any movements that could compromise the proper functionality of the product or the safety of the users. Wood and leather, being natural materials, could be easily damaged. Small impurities or imperfections are within quality standard range. Do not expose the product to weather conditions or atmospheric agents, nor to heat sources over 40°C. Also products for outdoor use could

be afflicted by atmospheric agents. The product could undergo possible exterior changes due to particular exposure to heat, humidity and saltiness. An appropriate and frequent maintenance and cleaning of the product enhances its durability. The product could change colour and shade, if exposed to direct sunlight. Maintenance has to be carried out by experienced staff. Dispose of the package only after assembling the product, in order to avoid the loss of ironmongery and components. Once the product has been dismantled, the product itself or its components must be given to the public garbage disposal system, according to the legislation in force.